

IV-500 - VOLVO - TAD 1345 GE

1.500 R.P.M. | 50 Hz

TECHNICAL SPECIFICATIONS

Model:

IV-500

Gen set with manual control panel.



Image for guidance purposes.

ENGINE	MAKE	MODEL
	VOLVO	TAD 1345 GE
ALTERNATOR	MODEL	
	MECC-ALTE ECO 40-2SN / 4	

(400 / 230 V)

CONTINUOUS POWER: (PRP "Prime Power" norma ISO 8528-1)	450 kVA
STAND-BY POWER: (LTP "Limited Time Power" norma ISO 8528-1)	500 kVA

Amperes in the different voltages:

VOLTAGE	HZ	PHASE	COS Ø	PRP KVA/KW	LTP KVA/KW	AMPERAGE
415/240	50	3	0,8	450,0/360,0	495,0/396,0	689,46
400/230	50	3	0,8	450,0/360,0	495,0/396,0	715,32
380/220	50	3	0,8	450,0/360,0	495,0/396,0	752,97
240/139	50	3	0,8	450,0/360,0	495,0/396,0	1192,2
230/133	50	3	0,8	450,0/360,0	495,0/396,0	1244,03
220/127	50	3	0,8	450,0/360,0	495,0/396,0	1300,58

IV-500 - VOLVO - TAD 1345 GE

1.500 R.P.M. | 50 Hz

ENGINE CHARACTERISTICS

MAKE	MODEL
VOLVO	TAD 1345 GE

GENERAL DATA

Power PRP (kWm)	388
Power LTP (kWm)	431
No. cylinders	6
Cylinder capacity (L)	12.78
Diameter per stroke (mm)	131 x 158
Compression ratio	18.10
Cooling system	LIQUID
Injection	COMMON RAIL
Suction	TURBO-INTERC.
Series regulator	ELECTRONIC
Fly wheel coupling	1 - 14"

Lubrication system

Oil capacity (L)	36
Oil consumption (%)	0.04
Min. alarm oil pressure (bar)	2.20

Ventilation system

Air cooling flow (m3/h)	24120
Combustion air flow (m3/h)	1608
Max. back pressure for fan (mbar)	0

Exhaust system

Exhaust gas flow (m3/h)	4620
Exhaust back pressure (mbar)	100
Temp. exhaust gases (°C)	477

Electrical system

VDC (V)	24
Battery (Ah)	2 x 180
Engine start-up (kW)	7

IV-500 - VOLVO - TAD 1345 GE

1.500 R.P.M. | 50 Hz

ALTERNATOR CHARACTERISTICS

MODEL

MECC-ALTE ECO 40-2SN / 4 (400 / 230 V)

GENERAL DATA

Power PRP (kVA)	450
Power LTP (kVA)	495.00
Efficiency Alt. 3/4 %	94.60
Efficiency Alt. 4/4 %	94.40
No. Poles	4
Voltage regulator	DER-1
No. wires	12
Insulation	H
Xd (%)	232.00
X'd (%)	21.40
X	12.10
Degree of protection	IP21

GENERATOR SET CONSUMPTION

% POWER USED	LITRES/HOUR
50%	47
75%	69
100%	92

DIMENSIONS, CAPACITIES, APPROXIMATE WEIGHT AND NOISE

LENGTH	DIMENSIONS (MM)	
	WIDTH	HEIGHT
4200	1600	2145
FUEL TANK (LITRES)		WEIGHT (KG)
534.00		4660.00
NOISE LEVEL (dB (A))		
72 @ 7 m		

IV-500 - VOLVO - TAD 1345 GE

1.500 R.P.M. | 50 Hz

INMESOL GENERATOR SET

GENERAL DESCRIPTION

The "INMESOL" generator set is an electrical energy generating machine which is used in places where there **is no mains supply** or when there is a MAINS failure.

The mobile elements, distribution belt, fan, etc., and those parts which reach high temperatures during operation, exhaust manifold, etc, include their corresponding protections, in compliance with the requirements of the Machinery Directive **2006/42**.

REGULATIONS



The machine holds the "CE" marking, and the corresponding Declaration of Conformity is issued with each of them, in which it specifies that the machine complies with **R.D 842/2002 Low Voltage Regulations and with the European Directives:**

- 2006/42 on Safety in Machinery.
- 2006/95/CE on Electrical Safety.
- 2004/108/CE on Electromagnetic Compatibility.
- 2005/88/CE on NOISE EMISSIONS by equipment for outdoor use (for SOUNDPROOF GENERATOR SETS).

IV-500 - VOLVO - TAD 1345 GE

1.500 R.P.M. | 50 Hz

IN INDUSTRIAL RANGE / SCOPE OF SUPPLY

		
Engine/alternator monobloc directly connected and installed via silent blocks on a frame made from high tensile electro welded steel profiles that are treated with degreasing liquids and aplicated with a phosphate coat and epoxi paint.	✓	✓
Canopy of steel sheet sound proofed with fireproof rockwool, and treated with degreasing liquids and aplicated with a phosphate coat and epoxi paint.	•	✓
Fuel tank integrated in the base frame provided with fuel level jauge and fuel connections to the engine.	✓	✓
Engine with mechanical engine driven pusher fan.	✓	✓
Industrial silencer with -15 db(A) noise reduction and exhaust outlet tube.	✓	•
Residencial silencer with -35 db(A) noise reduction with exhaust tube and protection cap.	•	✓
Electric control cubicle with control module including protection and reading of electrical meassures engine instrumentation fuel level and engine running hours, etc.	✓	✓
Termal and magnetic circuit breaker and termal and magnetic circuit breaker and earth fault relay.	✓	✓
Battery charge alternator.	✓	✓
Starter battery complete with cables to the engine and pole protection.	✓	✓
Installation prepared for earthing spike (spike not included).	✓	✓
Security protection for heat and moving parts as well as live electrical components.	✓	✓
External emergency stop push button.	✓	✓
Manual engine oil extraction pump.	•	✓
Self excited and auto regulated alternator.	✓	✓
Integrated lifting hook for single point lifting with crane, gensets up to 450 kVA (Except in swing-out cover model)	•	✓
4 Lifting points for gen sets from 450 kVA and bigger.	✓	•
Preparate for extended fuel tank, fully bomded for leakage protection.	✓	✓
Base frame is prepared for trailer kit installation.	✓	✓
Standard electronic speed governor on engines from 220 kVA (LTP) and up.	✓	✓
Horizontal outlet for hot air	•	✓

IV-500 - VOLVO - TAD 1345 GE

1.500 R.P.M. | 50 Hz

DSE 7310 MANUAL CONTROL PANEL

DSE 7310 MANUAL CONTROL PANEL

MANUAL CONTROL, PROTECTION AND DISTRIBUTION panel, assembled on the generator set in metal cabinet with a DSE 7310 engine protection unit.

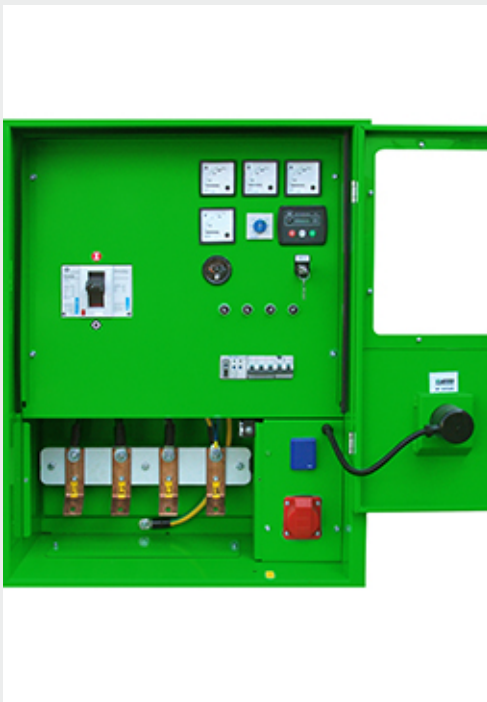


Image for guidance purposes.

It has the following:

1 EMERGENCY STOP PUSHBUTTON.

2 PROTECTIONS:

- Magnetothermal Protection
- Earth Leak Protection
- Protection fuses for control module

IV-500 - VOLVO - TAD 1345 GE

1.500 R.P.M. | 50 Hz

DSE 7310 MANUAL CONTROL PANEL

3 DSE 7310 CONTROL and PROTECTION CENTRE. It has a digital LCD screen, which provides easy reading of the information regarding the ENGINE, ALTERNATOR and CHARGING.

READINGS that can be made:

ENGINE:

- Coolant temperature
- Oil pressure
- Turning speed (rpm)
- Fuel level
- Battery voltage
- Battery alternator voltage.
- Operating hours
- Number of start-ups

ALTERNATOR AND CHARGE:

- Voltages between phases and between phases and neutral.
- Intensities
- Frequency
- Active Power (kW)
- Reactive Power (kVAr)
- Apparent Power (kVA)
- Cos phi
- Active energy meter (kW-h)

CONTROL of the set:

- START AND STOP the set MANUALLY.
- Possibility of doing it AUTOMATICALLY via START ON SIGNAL.

PROTECTION of the engine and alternator, with the ALARMS activated:

ENGINE:

- Low oil pressure
- High coolant temperature
- Low and High battery Voltage
- Failure of the alternator to charge batteries
- Low fuel level.

ALTERNATOR:

- Low and High Voltage
- Low and High Frequency
- Overload due to Intensity (A)
- Short-circuit
- Negative Phase Sequence.
- Power Overload (KW-kVA)
- Load control:
 - 1.Connection and disconnection of artificial loads.
 - 2.Disconnection of non-essential loads

IV-500 - VOLVO - TAD 1345 GE

1.500 R.P.M. | 50 Hz

DSE 7310 MANUAL CONTROL PANEL

OTHER CHARACTERISTICS:

- The real-time clock provides an exact record of events
- Extensive number of configurable inputs and outputs.
- Configurable alarms and timers.
- USB connectivity
- Fully configurable via software and PC
- Modbus RTU
- Possibility of SMS text messages
- Communications Ethernet, RS 232 and RS 485
- Programmer Clock with multiple maintenance events which can be configured for the optimal operation of the engine. Weekly and/or monthly programming of up to 16 starts and stops per week.

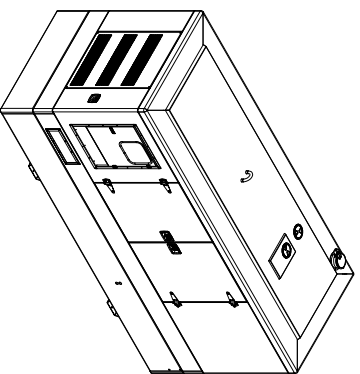
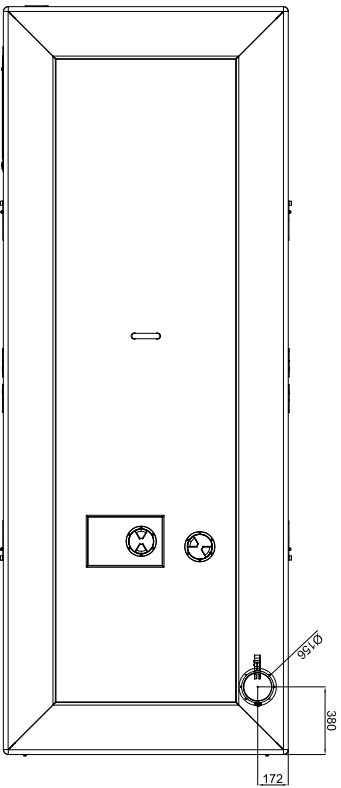
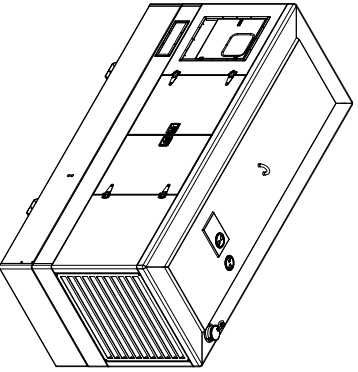
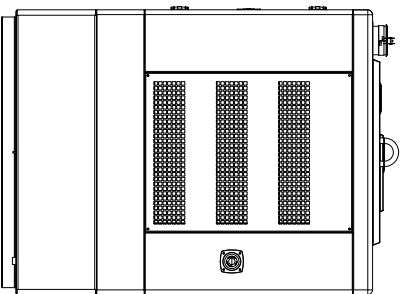
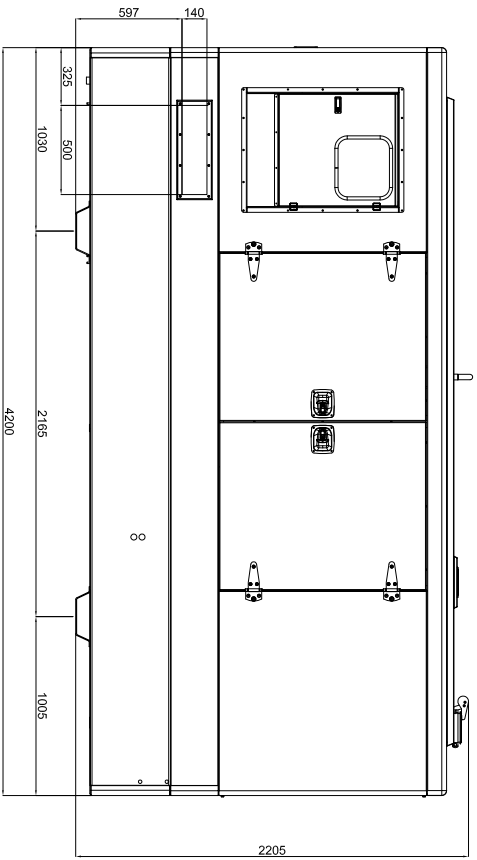
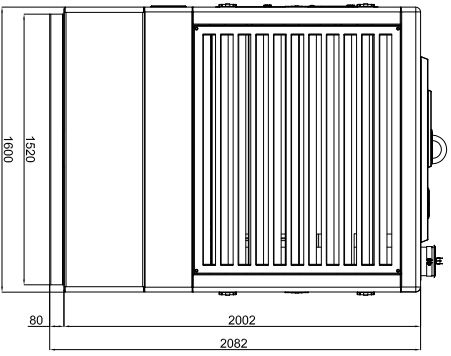
IV-500 - VOLVO - TAD 1345 GE

1.500 R.P.M. | 50 Hz

DSE 7310 MANUAL CONTROL PANEL

For OPEN sets - Three-phase generators (single phase by request):

CONT . POW.	MAGNETO. PROTECTION (A)	EARTH LEAK PROTECTION	DISTRIBUTION
10 kVA	4P, 16A (B)	Mod. 16A, 300 mA	1 B. CEE 3P+N+T 16A
13 kVA	4P, 20A (B)	Mod. 25 A, 300 mA	1 B. CEE 3P+N+T 32A
15 kVA	4P, 25A (B)	Mod. 25 A, 300 mA	1 B. CEE 3P+N+T 32A
20 kVA	4P, 32 A (B)	Mod. 32 A, 300 mA	1 B. CEE 3P+N+T 32 A
	1P+N 16 A (C)		1 B. CEE 2P+T 16 A
30 kVA	4P, 50 A (B)	Mod. 63 A, 300 mA	1 B. CEE 3P+N+T 63 A
	3P 16 A (C)		1 B. CEE 3P+N+T 16 A
40 kVA	1P+N 16 A (C)	Mod. 63 A, 300 mA	1 B. CEE 2P+T 16 A
	4P, 63 A (B)		1 B. CEE 3P+N+T 63 A
50 kVA	3P 16 A (C)	Electronic adjustable	1 B. CEE 3P+N+T 16 A
	1P+N 16 A (C)		1 B. CEE 2P+T 16 A
60 kVA	4P, 100 A (B)	Electronic adjustable	1 B. CEE 3P+N+T 125 A
	3P 16 A (C)		1 B. CEE 3P+N+T 16 A
75-80 kVA	1P+N 16 A (C)	Electronic adjustable	1 B. CEE 2P+T 16 A
	4P, 125 A (B)		1 B.CEE 3P+N+T 16 A
100 kVA	3P 16 A (C)	Electronic adjustable	1 B.SCHUKO 2P+T 16 A
	1P+N 16 A (C)		1 POWER TERMINALS
125-150 kVA	3P, 160 A (B)	Electronic adjustable	1 B. CEE 3P+N+T 16A
	3P 16 A (C)		1 B. SCHUKO 2P+T 16 A
200-275 kVA	1P+N 16 A (C)	Electronic adjustable	1 B. CEE 3P+N+T 16A
	3P, 400 A (B)		1 B. SCHUKO 2P+T 16 A
300-400 kVA	3P 16 A (C)	Electronic adjustable	1 B. CEE 3P+N+T 16A
	1P+N 16 A (C)		1 B. SCHUKO 2P+T 16 A
450 kVA VOLVO	3P, 800 A (B)	Electronic adjustable	1 B. CEE 3P+N+T 16A
	3P 16 A (C)		1 B. SCHUKO 2P+T 16 A
430 kVA DEUTZ	1P+N 16 A (C)	Electronic adjustable	1 POWER TERMINALS
	3P, 800 A (B)		1 POWER TERMINALS
450-500 kVA	3P, 630 A (B)	Electronic adjustable	1 POWER TERMINALS
570-650 kVA	3P, 1000 A (B)	Electronic adjustable	1 POWER TERMINALS



FUEL TANK CAPACITY = 534 LTS

GENSET MODEL BUILT INSIDE THIS CANOPY

IVECO	IL-330	IL-385	IL-440	IL-550
DEUTZ	ID-330	ID-415		
MTU	IT-310	IT-330	IT-440	
VOLVO	IV-330	IV-385	IV-415	IV-500
PERKINS	IP-300	IP-385	IP-440	
PERKINS	IP-355	IP-450	IP-520	IP-580

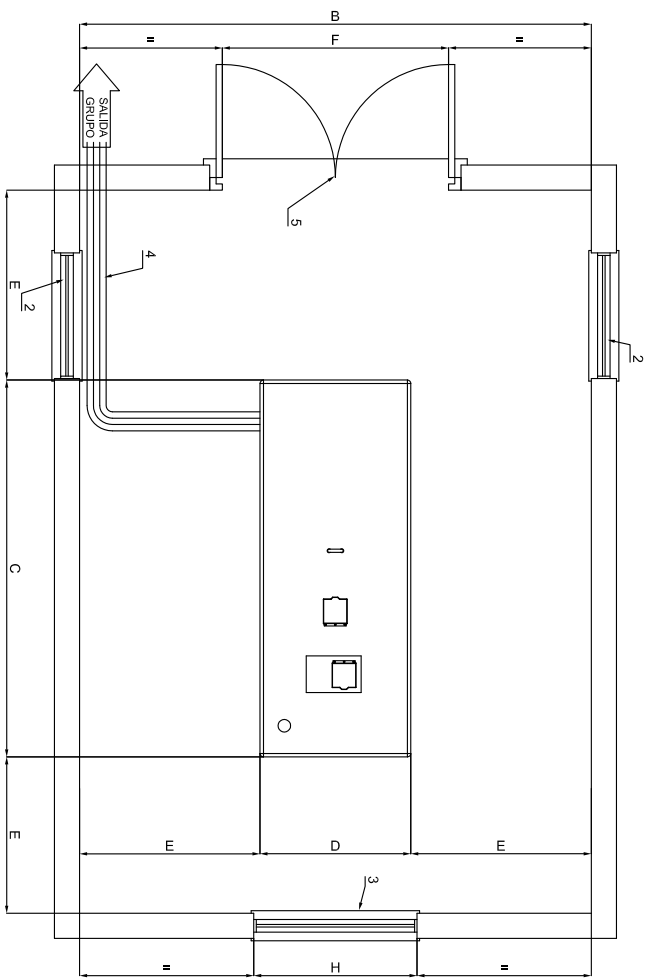
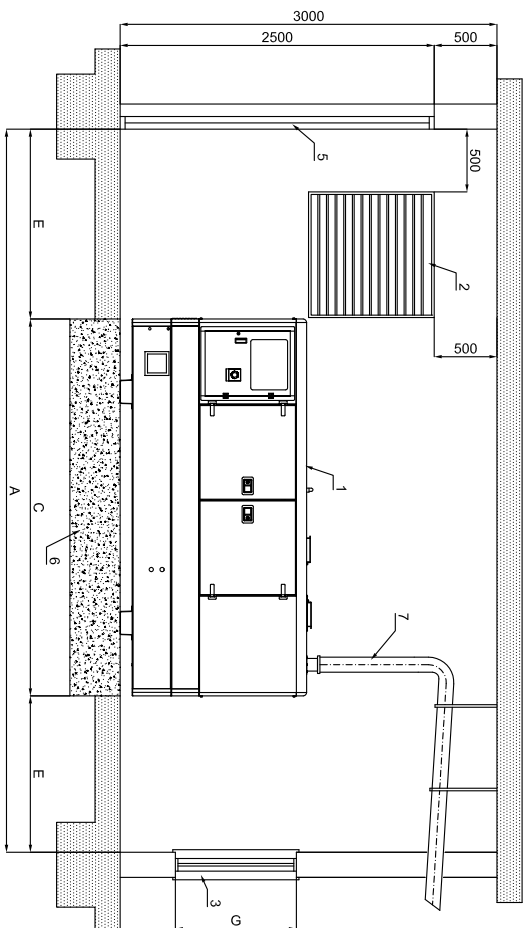


Este documento es una herramienta de trabajo que no garantiza la exactitud de los datos. El usuario es responsable de verificar la información antes de utilizarla. El fabricante no se hace responsable de los daños o perjuicios que se deriven del uso de esta información. Este documento es propiedad de IMMESOL y está protegido por derechos de autor. No se permite su reproducción o distribución sin el consentimiento escrito de IMMESOL.

ESCALA

PROYECTO: SOUNDPROOFED CANOPY 4200x2220x1600 WATERTIGHT

MODIFICADO	A.AGUILAR	04/08/2015	MATERIAL	
DISEÑADO	J.J.BELAR	18-JUN-2012	TOLERANCIA GENERAL	
COMPROBADO	J.J.SOLANO	18-JUN-2012	UDS	
DESIGNACION	SOUNDP. CANOPY 4200x2220x1600 300-400 Kw		EXFEDIENTE:	
GENERAL DIMENSIONS			Nº MOD.	
			Nº PLANO	
			MARCA	



DIMENSIONES MINIMAS DE SALA SEGUN POTENCIA

POTENCIA (Kva)	A	B	C	D	E	F	G	H	I	PESO	SECCION HUECO ENTRADA AIRE
8-15 ABATIBLE											2x0.50 m ²
10-15											2x0.50 m ²
20-30											2x0.50 m ²
40-60-75											2x0.90 m ²
85-105-130											2x1.00 m ²
150-180-200-250											2x2.50 m ²
											2x3.00 m ²
											2x3.50 m ²

- NOMENCLATURA
- 1.- GRUPO ELECTROGENO
 - 2.- HUECO ENTRADA DEL AIRE
 - 3.- TUNEL EXPULSION DEL AIRE
 - 4.- BANDEJA PASACABLES
 - 5.- PUERTA DE ACCESO
 - 6.- BASE HORMIGON ARMADO H-175
 - 7.- TUBO DE ESCAPE

CALCULO ESPESOR LOSA DE HORMIGON

$$E = \frac{W}{d \times D \times C}$$

E = altura bloque de hormigon
 W = peso total grupo electrogeno
 d = densidad del hormigon (2400 kg/m³)
 D = anchura bloque de hormigon (m)
 C = longitud bloque de hormigon (m)

h = 20/100 mm

EL Ø DE LA TUBERIA DE EXTENSION DEL ESCAPE PUEDE SER EL MISMO QUE EL DEL SILENCIADOR HASTA 5 m. PARA DISTANCAS MAYORES DE 5 m. DEBE AUMENTARSE EL Ø DE LA TUBERIA 10 mm POR CADA 10 m MAS DE DISTANCIA ENTRE EL GRUPO ELECTROGENO Y LA SALIDA EXTERIOR

PROYECTO:		GRUPO INSONORIZADO									
<small>Una vez obtenida la licencia de apertura de la obra, el autor se compromete a suministrar al cliente el proyecto de obra, así como a realizar el montaje de la obra, así como a realizar el mantenimiento de la obra, así como a realizar el mantenimiento de la obra, así como a realizar el mantenimiento de la obra.</small>	MODIFICADO	AGUILAR	02-Ene-2015	MATERIAL							
CODIGO	DIBUJADO	J.G.BELAR	27-Feb-2008	UDS.							
PESO	COMPROBADO	J.L.SOLANO	04-Oct-2012	EXPEDIENTE:							
ESCALA	DENOMINACION:	GRUPO INSONORIZADO			Nº MODI						
	DIMENSIONES DE SALA				Nº PLANO						
					MARCA						